

OSTUNI- 3-SEATER WITH WING (SL-667)

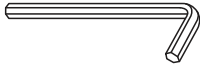

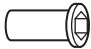
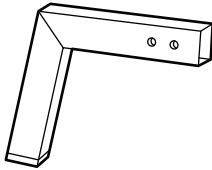
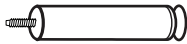
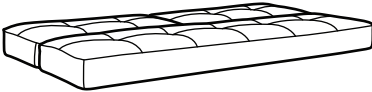
ASSEMBLY INSTRUCTIONS

IMPORTANT, RETAIN FOR FUTURE REFERENCE: READ CAREFULLY

PARTS AND HARDWARE

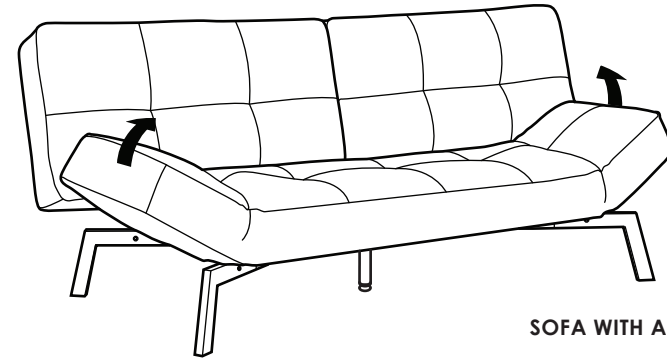
IMPORTANT

- Avoid using sharp objects to open packaging as you may accidentally damage the product.
- Please read complete instruction sheet prior to assembly.
- Minimum 2 adults required to safely perform assembly process.

PART #	PART SKU#	PART DESCRIPTION	QUANTITY
A	AK-M4		2
B	BLT-1/4-0.78		8
C	RNT-1/4		8
D	ML-1003		4
E	MSL-1028	 17 cm	1
F	N/A		1

ADJUSTING ARMREST POSITIONS

Standing in front of the unit, lift armrest to the desired position and secure in place by releasing to the sound of a click. To return to a flat position, lift armrest all the way up to the end, releasing the lock mechanism and carefully return to a flat position.

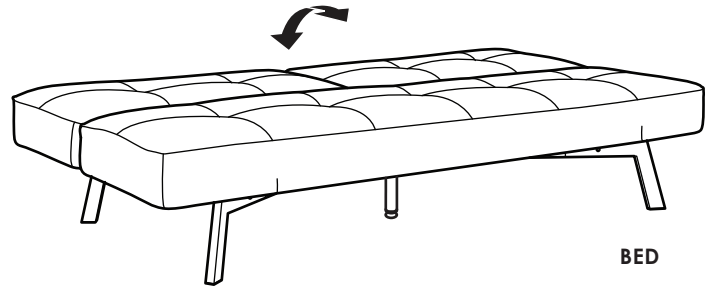


SOFA WITH ARMREST

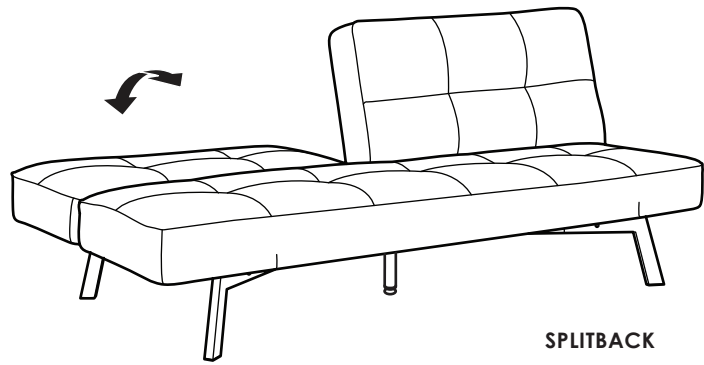
■ **IMPORTANT**

During conversion, ensure lifting is done on bottom of armrest.

ASSEMBLY INSTRUCTIONS

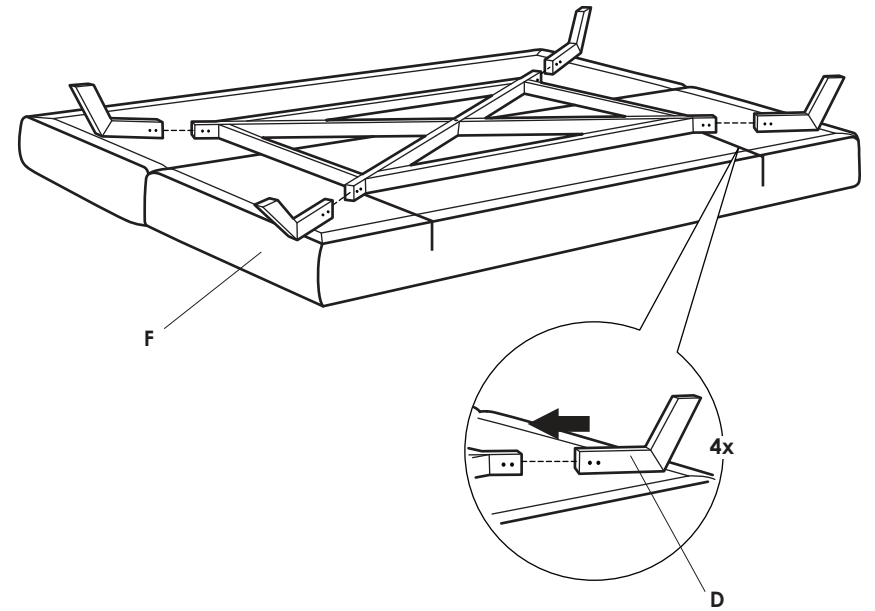


BED

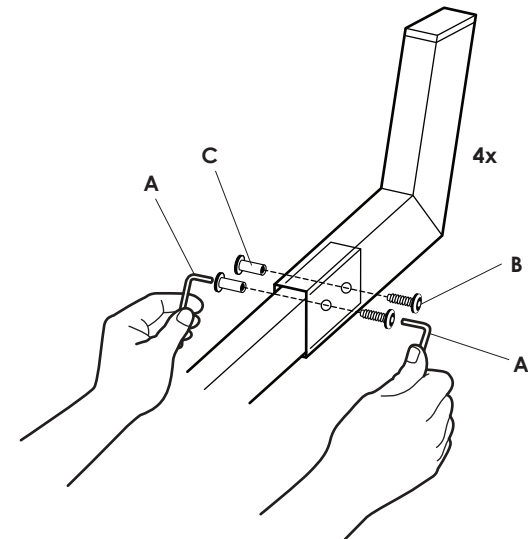


SPLITBACK

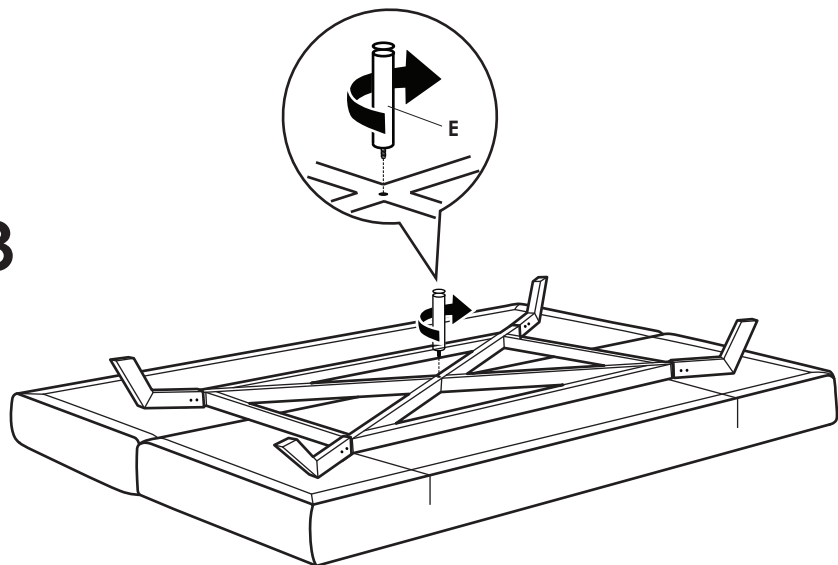
1



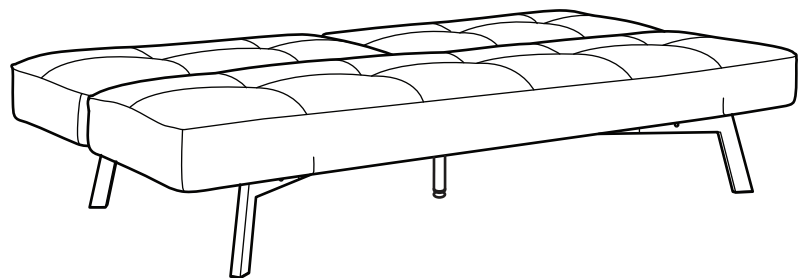
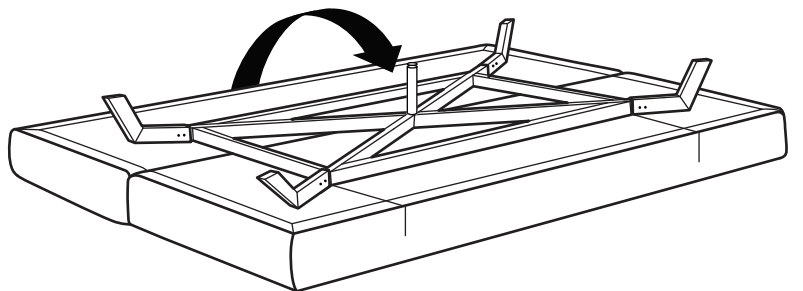
2



3



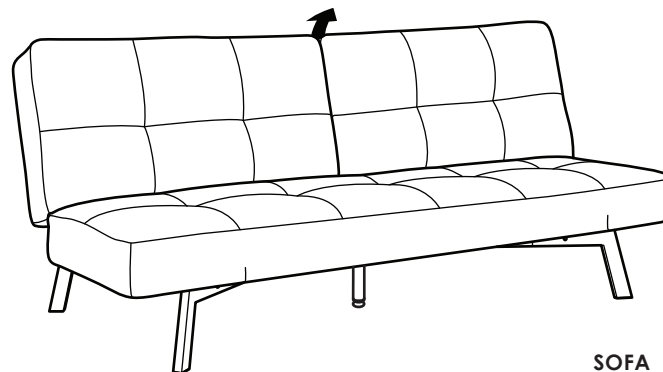
4



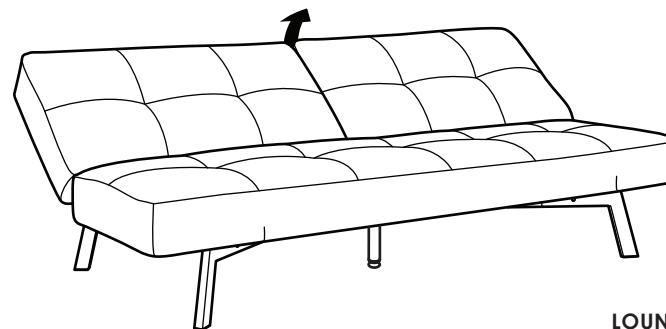
OPERATING YOUR UNIT

CONVERTING TO CHAISE / LOUNGER / BED / SPLITBACK

Standing at the side of the unit (from bed position), lift backrest to the desired position and secure in place by releasing to the sound of a click.



SOFA



LOUNGER